
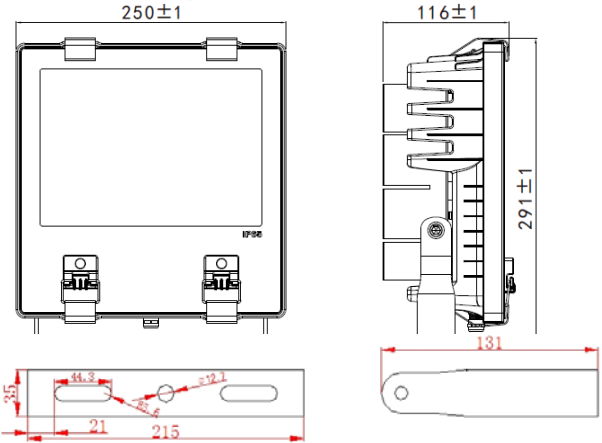
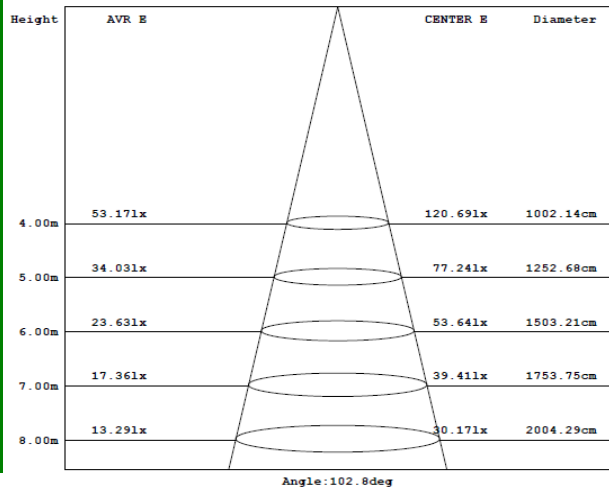


MANUAL OF LED FLOOD LIGHT

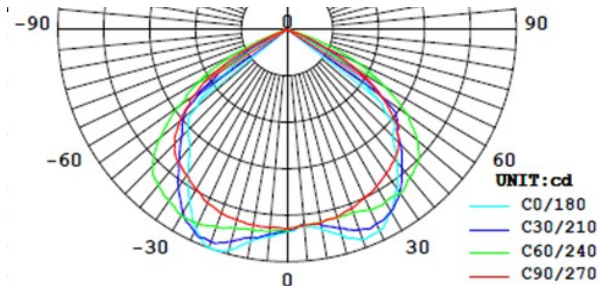
Model No.	TA-FL080		
Order No.	TA-FL080-WW	TA-FL080-PW	TA-FL080-CW
Dimension	291x250x116 mm		
System Power Consumption	80-99W		
Input Voltage	90~264VAC 50HZ~60HZ		
Light Source	80 pcs High Power LED SMD3535		
Total Harmonic Distortion	≤9%		
Power Factor	>0.95		
Power Efficiency	>0.88		
Led Luminous Efficiency	75-80lm/W		
Beam Angle	100°		
Average Luminous Flux	6,000-6,400lm		
CCT	2700-3700K	4000K-5300K	5500K-6700K
CRI	>70		
Working Temperature	-30°C ~ +55°C @35~90%RH		
Storage Temperature	-40°C ~ +85°C @5~95%RH		
IP Grade	65		
Color	Red/ Green/ Blue/ WW/ PW/CW		
Material of the lamp shell	Housing:	Aluminium with copper cooling fins	
	Cover:	ASA plastic with Strengthen glass	
Net Weight	3.2kg/pc		
Package Size & Weight	700x395x385mm 13.8kg/carton 4pcs each carton		
Certificate			



Illuminance Diagram



Light Distribution Curve

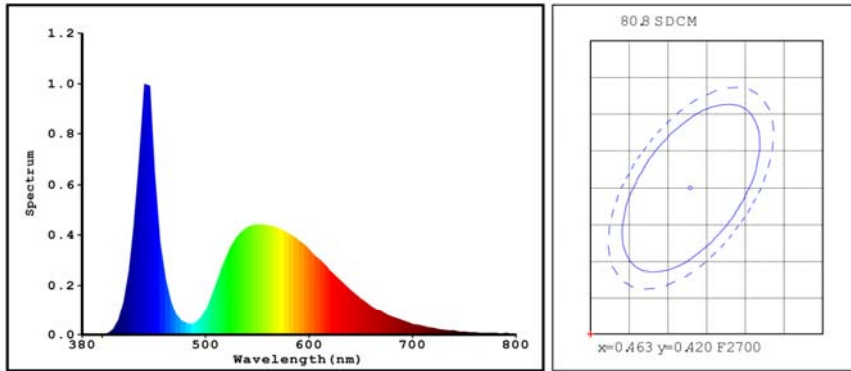


Main Features

- *50% less in power consumption than traditional flood light
- *Instant on and adjustable projecting direction
- *Eco-friendly, no UV,IR, flicker and mercury free
- *High power efficiency with good heat dissipation
- *Maintenance free, extra long lifespan of over 50,000 hours
- *Ideal for outdoor application, commercial buildings, ad boards, etc.

Spectrophotometer Test Report

Light Source Test Report



Color Parameters:

Chromaticity Coordinate: $x=0.3183$ $y=0.3168$ / $u'=0.2065$ $v'=0.4625$
Tc=6277K Dominant WL:Ld=475.0nm Purity=6.7% Centroid WL:544.0nm
Ratio:R=14.1% G=83.3% B=2.6% Peak WL:Lp=440.0nm HWL:21.6nm
Render Index:Ra=71
R1 =71 R2 =69 R3 =64 R4 =71 R5 =71 R6 =58 R7 =73
R8 =63 R9 =0 R10=24 R11=72 R12=37 R13=68 R14=79 R15=68

Photo Parameters:

Flux: 6704.6 lm Fe: 19.822 W Efficacy:77.6 lm/W

Electrical Parameters:

Luminaire: U=215.9V I=0.4002A P=86.4W PF=0.9727

Instrument Status:

Scan Range:380.0nm-800.0nm Interval:5.0nm[0] Ip=29019(G=4,D=54)
REF=17849(R=3) %=-0.209% PMT: 29.3 centigrade [29.5]

Product Type:FK-FL80-100N-291
Number:N0008
Temperature:25.3 deg
Test Operator:DAMIN
Software:V2.00.100

Manufacturer:
Test Department:EVERFINE
Humidity:60.0%
Test Date:DAMIN
Instrument:PMS-80_V1 (SN:1001013)